

## 12MP Sensor Indoor 360-degree Fisheye Network Camera

Panasonic WV-X4172 captures the highest quality images in even very challenging and dynamic environments.

In particular, the image of the person's face or object at the edge of the fisheye is clear with less distortion.

Intelligent Auto (iA) monitors scene dynamics and motion to adjust key camera settings automatically in real-time reducing distortion such as motion blur on moving objects. Adopting H.265 Smart Coding technology, bandwidth efficiency is intelligently increased for longer recording and less storage. Cameras out-of-the-box, use an encryption module standardized by FIPS Publication 140-2 for secure video streaming.

### Extreme image quality for evidence capturing under challenging conditions

- Clear and less distorted image of the person's face and objects at the edge of the fisheye
- Instant response to sudden light changes like tunnel entry and exit
- Auto Shutter speed control for fast moving objects

### Extreme bandwidth compression with new Panasonic H.265 Smart Coding

- Longer recording and less storage space compared to any H.264 based compression techniques
- New self-learning ROI\* encoding (Auto VIQS) dynamically detects motion areas to keep vehicles and humans in good picture quality while lowering your bandwidth \*Region of Interest

### Extreme Data Security

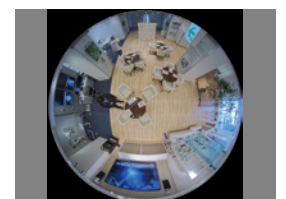
- Full encryption SD card edge recording to keep your data safe
- FIPS140-2 CAVP compliant \*Using encryption module standardized by FIPS publication 140-2
- Full end-to-end system encryption with supported VMS and devices to protect from IP snooping/spoofing and detect data alteration

### Key Features

- 12MP Sensor
- 2992x2992 pixel fisheye image up to 30fps
- iA (intelligent Auto)
- H.265 Smart Coding
- i-VMD License Bundled
- Onvif Profile G / S / T

### Industry examples

- Transportation (Airport / Subway station)
- Logistics / Factory
- Education / Hospital
- Retail / Bank
- Building



2992 x 2992  
4000 x 3000

# Specifications

<b>Camera</b>	Image Sensor	Approx. 1/2 type 12MP CMOS image sensor
	Minimum Illumination	Color : 0.3 lx, BW : 0.2 lx (F1.9, Maximum shutter : Off (1/30 s), AGC : 11) Color : 0.02 lx, BW : 0.01 lx (F1.9, Maximum shutter : max. 16/30s, AGC : 11) *1
	Intelligent Auto	On / Off
	Maximum shutter	Max. 16/30s to Max. 1/10000s
	Wide Dynamic Range*2	On / Off, The level can be set in the range of 0 to 31.
	Dynamic Range	Max.84 dB (Wide Dynamic Range : On, level : 31)
	Image Settings	Gain (AGC), White balance
	Image Compensation	Adaptive black stretch, Back light compensation (BLC), Fog compensation, High light compensation (HLC), Digital noise reduction
	Day / Night (Electrical)	Off / Auto
	Video Motion Detection (VMD)	On / Off, 4 areas available
	Intelligent VMD (i-VMD)*3	Type 8 *Bundled License
	Privacy Zone	On / Off, Up to 8 zones available
	Camera Title (OSD)	On / Off, Up to 20 characters (alphanumeric characters, marks)
	Fixing angle adjustment	-5°, 0°, +5°
<b>Lens</b>	Zoom Ratio	1x
	Digital (electronic) zoom	Choose from 3 levels of x1, x2, x4
	Focal length	1.4 mm (1/16 inches)
	Maximum Aperture Ratio	1 : 1.9
	Focus range	0.5 m (19-11/16 inches) - ∞
	Angular Field of view	Horizontal : 183° Vertical : 183°
<b>DORI</b>	Distance to the object in the center of the image	Detect (25 ppm / 8 ppf) : 29.9 m / 98.2 ft Observe (62.5 ppm / 19 ppf) : 12.0 m / 39.3 ft Recognize (125 ppm / 38 ppf) : 6.0 m / 19.6 ft Identify (250 ppm / 76 ppf) : 3.0 m / 9.8 ft
	Coverage radius when mounted at a height of 3 m (10 ft)	Detect (25 ppm / 8 ppf) : 56.1 m / 184.2 ft Observe (62.5 ppm / 19 ppf) : 20.6 m / 67.6 ft Recognize (125 ppm / 38 ppf) : 8.4 m / 27.6 ft Identify (250 ppm / 76 ppf) : 0.3 m / 0.9 ft
	Camera Control	Brightness
	GUI / Setup Menu Language	English, Italian, French, German, Spanish, Portuguese, Russian, Chinese, Japanese
<b>Browser GUI</b>	Network IF	10Base-T / 100Base-TX, RJ45 connector
	Resolution	<Ceiling> <Wall>
		<Ceiling>
<b>Network</b>		<ul style="list-style-type: none"> <li>•<b>Fisheye mode (max. 30 fps/25 fps)</b> 2992×2992 / 2192×2192 / 1280×1280 / 640×640 / 320×320</li> <li>•<b>Quad PTZ mode (max. 15 fps/12.5 fps), Single PTZ mode (max. 15 fps/12.5 fps)</b> 2560×1920<sup>4</sup> / 2048×1536 / 1600×1200 / 1280×960 / 800×600 / VGA / QVGA</li> <li>•<b>Double Panorama mode (max. 15 fps/12.5 fps)</b> 2560×1440 / 1920×1080 / 1280×720 / 640×360 / 320×180</li> <li>•<b>Fisheye + Double Panorama mode (max. 15 fps/12.5 fps)</b> (Fisheye) 2992×2992 / 2192×2192 / 1280×1280 / 640×640 / 320×320 (Double Panorama) 1280×720 / 640×360 / 320×180</li> <li>•<b>Fisheye + Quad PTZ mode (max. 15 fps/12.5 fps)</b> (Fisheye) 2992×2992 / 2192×2192 / 1280×1280 / 640×640 / 320×320 (Quad PTZ) 1280×960 / 800×600 / VGA / QVGA</li> <li>•<b>Quad streams mode</b> (Single PTZ (Quad streams)) 1280×960 / 800×600 / VGA / QVGA (max. 15 fps/12.5 fps) (Quad PTZ) 2560×1920 / 2048×1536 / 1600×1200 / 1280×960 / 800×600 / VGA / QVGA (max. 5 fps)</li> </ul>
		<Wall>
		<ul style="list-style-type: none"> <li>•<b>Panorama mode (max. 15 fps/12.5 fps)</b> 2560×1440 / 1920×1080 / 1280×720 / 640×360 / 320×180</li> <li>•<b>Fisheye + Panorama mode (max. 15 fps/12.5 fps)</b> (Fisheye) 2992×2992 / 2192×2192 / 1280×1280 / 640×640 / 320×320 (Panorama) 1280×720 / 640×360 / 320×180</li> </ul>

<b>Network</b>	H.265/ H.264 <sup>5</sup>	Transmission Mode	Constant bit rate / VBR / Frame rate / Best effort
	JPEG	Transmission Type	Unicast port (AUTO)/ Unicast port (MANUAL)/ Multicast
	Smart Coding	Image Quality	10 steps
	Supported Protocol		<b>GOP (Group of pictures) control :</b> On (Frame rate control) / On (Advanced)* / On (Mid) / On (Low) / Off *On (Frame rate control) and On (Advanced) are only available with H.265. <b>Auto IQoS :</b> On / Off
	Maximum concurrent access number		Up to 14 users (Depends on network conditions)
	SDXC/SDHC/SD Memory Card (Option)		H.265 / H.264 recording : Manual REC / Alarm REC (Pre/Post) / Schedule REC JPEG recording : Manual REC / Alarm REC (Pre/Post) Compatible SDXC/SDHC/SD card : Panasonic 2 GB, 4 GB*, 8 GB*, 16 GB*, 32 GB*, 64 GB**, 128 GB**, 256 GB** model *SDHC card, ** SDXC card (except miniSD card and microSD card)
	Mobile Terminal Compatibility		iPad, iPhone, Android™ terminals
	ONVIF Profile		G / S / T
<b>Alarm</b>	Alarm Source		VMD, Command alarm
	Alarm Actions		SDXC/SDHC/SD memory recording, E-mail notification, HTTP alarm notification, Indication on browser, Panasonic alarm protocol output
<b>General</b>	Safety		UL (UL60950-1), c-UL (CSA C22.2 No.60950-1), CE, IEC60950-1
	EMC		FCC (Part15 ClassA), ICES003 ClassA, EN55032 ClassB, EN55024, EN55035
	Power Source and Power Consumption		PoE (IEEE802.3af compliant) Device : DC 48 V 150 mA/Approx. 7.2 W (Class 0 device)
	Ambient Operating Temperature		0 °C to +40 °C (32 °F to 104 °F)
	Ambient Operating Humidity		10% to 90 % (no condensation)
	Dimensions		ø150 mm × 49.5 mm (H) (ø5-29/32 inches × 1-15/16 inches (H))
	Mass (approx.)		Approx. 400 g (0.88 lbs)
Finish		Main body : ABS resin, i-PRO white	

- \*1 Converted value
- \*2 When "On (level 30 or 31)" is selected for "Wide Dynamic Range(WDR)", the frame rate is restricted to a maximum of 15fps (30fps mode) or 12.5fps (25fps mode)..
- \*3 Auto IQoS, i-VMD, can not be used at the same time.
- \*4 When "Single PTZ" mode is used in wall installations, the 2560×1920 resolution cannot be used.
- \*5 Transmission for 2 streams can be individually set.

## Bundled License

### Plug-in Software for i-VMD

i-VMD is possible to detect objects in the specified area by advanced video analysis technology.  
i-VMD : People Counting, Heat-map, MOR (Moving Object Remover), Intruder Detection, Loitering Detection, Cross line Detection, Object Detection, Scene change Detection

## Optional Accessories

### Mount Bracket

<b>Ceiling Mount Bracket</b> <b>WV-Q105A</b> 	<b>Wall Mount Bracket</b> <b>WV-QWL500-W</b> (i-PRO white) 	<b>Adapter Box</b> <b>WV-QJB500-W</b> (i-PRO white) (This bracket requires WV-QWL500-W.) 
<b>Pole Mount Bracket</b> <b>WV-QPL500-W</b> (i-PRO white) (This bracket requires WV-QWL500-W.) 	<b>Corner Mount Bracket</b> <b>WV-QCN500-W</b> (i-PRO white) (This bracket requires WV-QWL500-W.) 	

• Brackets are available in four colors, Fine silver, Light gray, Gray and i-PRO white. It is possible to use them in different color combinations.

### Important

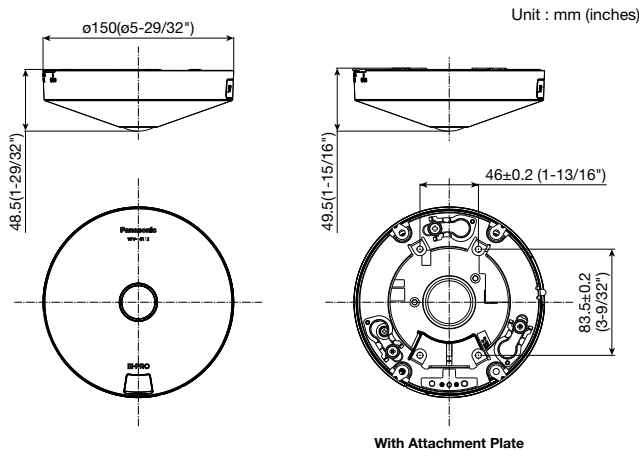
- Safety Precautions : Carefully read the Basic Information, Installation Guide and Operating Instructions before using this product.
- Panasonic cannot be held responsible for the performance of the network and/or other manufacturers' products used on the network.

### Trademarks and registered trademarks

- iPad and iPhone are trademarks of Apple Inc., registered in the U.S. and other countries.
- All other trademarks identified herein are the property of their respective owners.

• Masses and dimensions are approximate. • Specifications are subject to change without notice.

## Appearance



**Panasonic**

Panasonic Corporation

Panasonic i-PRO Sensing Solutions Co., Ltd.

<https://ipro.panasonic.com>

<https://security.panasonic.com>

<https://www.linkedin.com/company/i-pro-sensing-solutions-co-ltd/>

(2A-267AA)