

# FD Analog Fixed Dome Series Accessories

## PENDANT, IN-CEILING, AND WALL MOUNTS; ADAPTER PLATE; SMOKED DOMES

### Product Features

- Mounting Options Designed for FD Series Camera Systems
- Indoor and Outdoor Installations Supported
- Easy to Install
- Pendant Options for All FD Series Models
- Durable Aluminum Mount Construction
- Compatible with Many Pelco Mounts
- Smoked Dome Option for FD2 and FD5 Models
- Mounts Prepackaged for On-Site Mount Selection for FD2 Series Cameras

**FD Series** accessories offer versatile installation and mounting options and are specifically designed for the Pelco FD Series cameras. Economical **FD Series** mounts are designed to ensure ease of installation and cohesion in the look of the FD product line. All of the mounts are color-matched, made from durable aluminum for strength and weather protection, and designed with the installer in mind. A smoked dome option is also available for FD2 and FD5 models.

Indoor mounts for the **FD2 Series** camera are available in pendant, in-ceiling, or wall models. The **FD2-P** pendant mount is compatible with 0.75-inch and 25 mm conduit fittings, making it universally adaptable. Ceiling installations are simplified by the **FD-FK** flush kit, which includes a mounting bracket and protective trim ring. The **FD-WM** wall mount attaches easily to a solid surface or junction box.



**FD5-P PENDANT MOUNT  
SHOWN WITH FD5 CAMERA  
AND SMOKED DOME**



**FD-WM WALL MOUNT  
SHOWN WITH FD2 CAMERA  
AND SMOKED DOME**



**FD-FK FLUSH KIT  
SHOWN WITH FD2 CAMERA  
AND SMOKED DOME**

Designed for use with the **FD5 Series** camera, the **FD5-P** outdoor pendant mount is equipped with a 1.5-inch NPT thread for easy installation. This pendant model can be paired with the Pelco SWM-SR or WMVE-SR for wall mount installations.

In addition, the **FD-FK** flush kit, **FD-WM** wall mount, and the **FD-AP** 4S electrical box adapter plate are compatible with both **FD2** and **FD5 Series** indoor and outdoor installations.

An all-in-one package that includes the **FD-FK** flush kit, **FD2-P** pendant mount, and **FD-WM** wall mount is available to support a wide variety of FD2 installations. These three mounts are prepackaged for easy mount selection and deployment on site.



by Schneider Electric

International Standards  
Organization Registered Firm;  
ISO 9001 Quality System



C3997 / REVISED 5-6-14

# TECHNICAL SPECIFICATIONS

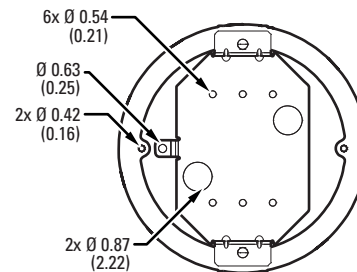
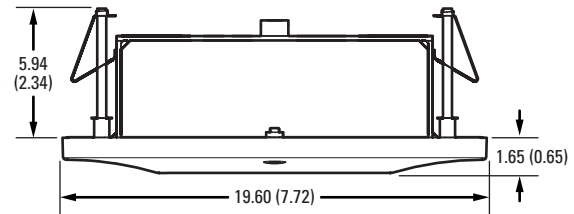
## CEILING FLUSH KIT

### FD-FK

- Flush kit includes a flush mount and trim ring for FD2 and FD5 Series cameras
- Durable all-aluminum flush mount
- ABS plastic trim ring
- Designed for indoor use with FD2 Series cameras or outdoor use with FD5 Series cameras
- Provides an attractive, easy-to-install, recessed, in-ceiling mounting option



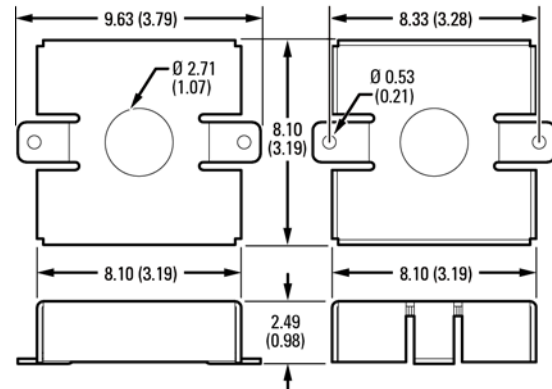
VALUES IN PARENTHESES ARE INCHES; ALL OTHERS ARE CENTIMETERS.



## PENDANT MOUNTS

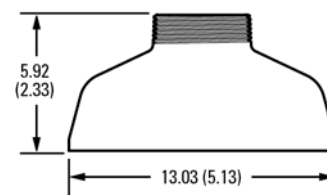
### FD2-P

- Pendant mount for FD2 Series cameras
- Color-matched aluminum construction
- Accepts 0.75-inch and 25 mm conduit fittings
- Indoor use
- Provides an attractive and economical alternative when pendant mounting is required



### FD5-P

- Pendant mount for FD5 Series cameras
- Durable all-aluminum construction
- 1.5-inch NPT thread for easy adaptation to Pelco mounts
- Rugged/outdoor use
- Provides an attractive alternative when surface mounting is not available
- Use with IWM-SR, IWM24-SR, SWM-SR, or WMVE-SR Pelco mounts for a complete wall mount assembly



# TECHNICAL SPECIFICATIONS

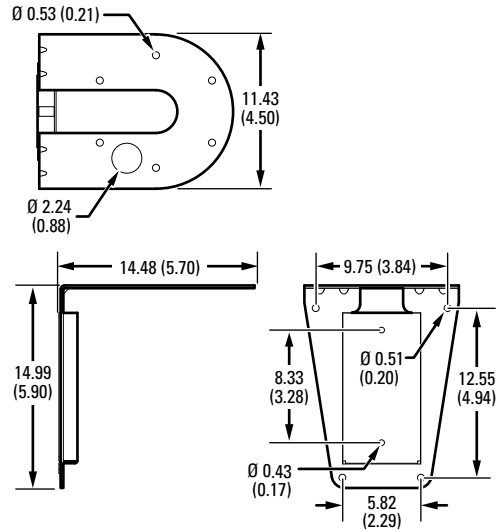
## WALL MOUNT

### FD-WM

- Integrated wall mount for FD2 and FD5 Series cameras
- Durable all-aluminum construction
- Mounts to a flat wall or a single-gang electrical box
- Designed for indoor use with FD2 Series cameras or outdoor use with FD5 Series cameras
- Economical wall mount option



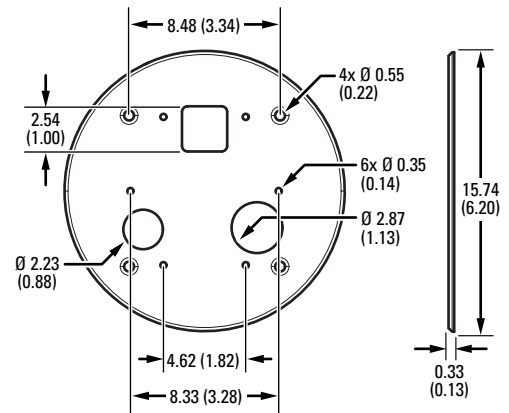
VALUES IN PARENTHESES ARE INCHES; ALL OTHERS ARE CENTIMETERS.



## 4S ELECTRICAL BOX ADAPTER PLATE

### FD-AP

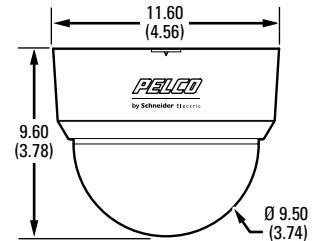
- Adapter plate for FD2 and FD5 Series cameras
- Durable all-aluminum construction
- Mounts to a 4S electrical box
- Indoor use



## SMOKED DOMES

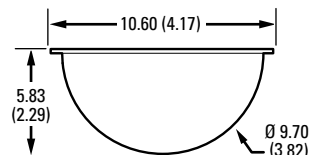
### FD2-LD-0

- Smoked dome option for FD2 Series cameras
- Polycarbonate construction
- Indoor use



### FD5-LD-0

- Smoked dome bubble option for FD5 Series cameras
- Polycarbonate construction
- Indoor or outdoor use



# TECHNICAL SPECIFICATIONS

## MODELS

FD-FK	Flush kit for FD2 Series indoor and FD5 Series outdoor cameras
FD2-P	Pendant mount for FD2 Series indoor cameras
FD5-P	Pendant mount for FD5 Series outdoor cameras
FD-AP	Adapter plate for FD2 Series indoor cameras
FD-WM	Wall mount for FD2 Series indoor and FD5 Series outdoor cameras
FD2-LD-0	Smoked dome cover and bubble for FD2 Series indoor cameras
FD5-LD-0	Smoked dome bubble for FD5 Series outdoor cameras

## GENERAL

Construction	Aluminum (mounts and adapter), ABS plastic (trim ring), or polycarbonate (smoked dome)	
Smoked Lower Dome		
Light Attenuation	F/1.3 light loss	
Transmission	45%	
Finish		
FD-FK	Powder coat, black with white trim ring	
FD2-P	White	
FD5-P	Powder coat, light gray	
FD-AP	White	
FD-WM	White	
Weight	Unit	Shipping
FD-FK	0.23 kg (0.50 lb)	0.90 kg (2 lb)
FD2-P	0.09 kg (0.20 lb)	0.45 kg (1 lb)
FD5-P	0.34 kg (0.75 lb)	0.90 kg (2 lb)
FD-AP	0.16 kg (0.35 lb)	0.45 kg (1 lb)
FD-WM	0.28 kg (0.62 lb)	0.90 kg (2 lb)
FD2-LD-0	0.19 kg (0.42 lb)	0.45 kg (1 lb)
FD5-LD-0	0.11 kg (0.24 lb)	0.45 kg (1 lb)

## MECHANICAL

### Suggested Installation Method

FD-FK	Attach an FD2 or FD5 Series camera to the in-ceiling flush mount; install trim ring.
FD2-P	Attach an FD2 camera to a mount using 0.75-inch NPT or 25 mm conduit fitting.
FD5-P	Attach the FD5-P to a mount with 1.5-inch NPT pipe.
FD-AP	Attach the adapter plate to a 4S electrical box; for FD2 and FD5 Series cameras.
FD-WM	Attach the mount to a solid surface or single gang electrical box; for FD2 and FD5 Series cameras.
FD2-LD-0	Remove the original clear dome cover using a flat-end tool and attach the replacement smoked dome cover.
FD5-LD-0	Remove the dome cover and detach the original clear bubble. Replace the bubble in the dome cover with the replacement smoked dome.

## OPTIONAL MOUNTS

*(For use with FD5-P pendant mounts)*

IWM-SR	Wall mount; light gray finish. Can be adapted for corner, parapet, or pole applications.
IWM24-SR	Wall mount; light gray finish; with integrated 24 VAC 100 VA transformer. Can be adapted for corner, parapet, or pole applications.
SWM-SR	Compact wall mount; light gray finish. Can be used for wall-mount installations; or adapted for corner or pole applications.
WMVE-SR	Environmental wall mount; light gray finish. Can be installed directly to a wall or any vertical surface. Power and video wiring can be routed through the back of the mount or through the conduit access located on the bottom of the mount arm. Can also be pole-mounted using a PA101 pole mount adapter.

## OPTIONAL PACKAGES

FD2-MTKIT	All-in-one package includes the FD-FK flush kit, FD2-P pendant mount, and FD-WM wall mount to support on-site mount selection for a wide variety of FD2 camera installations.
-----------	---

### Pelco by Schneider Electric

3500 Pelco Way, Clovis, California 93612-5699 United States

**USA & Canada** Tel (800) 289-9100 Fax (800) 289-9150

**International** Tel +1 (559) 292-1981 Fax +1 (559) 348-1120

**www.pelco.com** [www.pelco.com/community](http://www.pelco.com/community)

Pelco, the Pelco logo, and other trademarks associated with Pelco products referred to in this publication are trademarks of Pelco, Inc. or its affiliates. ONVIF and the ONVIF logo are trademarks of ONVIF Inc. All other product names and services are the property of their respective companies.

Product specifications and availability are subject to change without notice.

©Copyright 2014, Pelco, Inc. All rights reserved.