

Wireless PowerG Digital Pet-Immune PIR Motion Detector **PG4914**



Features That Make a Difference:

- Motion and temperature* detection in a single, small device aligned with contemporary design preferences
- Built-in PowerG** leading-edge wireless intrusion technology
- Fresnel and cylindrical lenses for uniform detection sensitivity covering up to 12 m (39 ft), with no vertical adjustment needed
- Pet-immune with Target Specific Imaging™ that distinguishes between humans and pets weighing up to 38 kg (85 lb)
- Simple installation and maintenance with exceptionally long-lasting battery and easily accessible battery compartment
- Compatible with PowerSeries Neo alarm systems

The power of PowerG**:

The power behind PowerSeries Neo lies in various innovative technologies, including the revolutionary PowerG, which, bundled together, provide a robust and feature-rich platform designed to reduce operational costs for dealers and provide ultimate reliability for end users.

- Multichannel, Frequency Hopping Spread Spectrum technology - to overcome frequency blocking and interference
- Adaptive Transmission Power - for battery life preservation
- High transmission ranges - for reliable communication within up to 2km/2187 yards line-of-sight
- TDMA synchronized communication technology - to prevent message collisions
- 128 bit AES encryption - high level protection against analysis tools and digital attacks

* Local technical contact should be consulted regarding temperature detection support.



Smart dual-function indoor PIR motion detector

The pet-immune PG4914 is a smart dual-function indoor PIR motion detector that offers reliable motion detection and temperature monitoring performance, in one easy-to-install and attractive device.

With built-in PowerG leading-edge wireless technology, the PG4914 delivers proven motion detection with superior immunity to false alarms. It is compatible with PowerSeries Neo alarm systems.

Proven, market-leading motion detection

The PG4914 provides exceptional intrusion protection with superior immunity to false alarms.

- The ability to distinguish between intruders and other disturbances, as well as humans and pets, ensures higher reliability and reduced false alarms
- Uniform detection sensitivity is assured across a wide operating range

Security plus smart capabilities in one

With dual functionality built-in, the PG4914 addresses the growing market

demand for smart capabilities and multi-purpose devices.

- Motion detection and temperature monitoring are included
- Perfect for smart and secure homes, and small to medium-sized enterprises
- Provides the functionality of two detectors for the price of one

Quicker, easier installation and maintenance

The PG4914 saves time with simple installation and maintenance, thanks to an easily accessible battery compartment and longer battery life.

- Simplified inventory with a single device for both motion and temperature detection, and no need to stock separate pet-immune models
- Fresnel and cylindrical lenses require no adjustment during installation
- Extended battery life due to low current consumption
- Quick and simple battery replacements, with an easily accessible battery compartment



From Tyco Security Products

Sleek modern design

Designed for contemporary aesthetics, the compact PG4914 has a sleek, modern look that blends in with any décor.

- Aligned with today’s design preferences
- Small format, perfect for unobtrusive corner placement, reduces visual impact

Specifications

Battery type 3V, CR-123A Lithium battery
 Battery life 6-8 years with typical use
 Weight (including battery)..... 90 g (3.17 oz.)
 Operating temperature -10°C to 50°C (14°F to 122°F)
 Operating environmentIndoors
 Tamper protectionFront cover and back
 Dimensions (H x W x D) 83 x 61 x 42 mm
 (3.27 x 2.4 x 1.66 in)

Ordering Information

PG4914.....Wireless PowerG PIR pet immune
 Motion Detector 433 MHZ
 PG8914.....Wireless PowerG PIR pet immune
 Motion Detector 868 MHZ
 PG9914.....Wireless PowerG PIR pet immune
 Motion Detector 915 MHZ

Approvals

FCC/IC, UL/ULC, CE, EN, SBSC, INCERT, RCM

Please refer to www.dsc.com for the most current approval listings.

Compatibility

PowerSeries Neo Systems

PowerSeries Neo is Security Redefined

PowerSeries Neo by DSC redefines intrusion security by combining the flexibility of a modular, hardwired system with the simplicity of a wide range of wireless devices and peripherals, resulting in the most comprehensive hybrid system available in the market today.

This brand new and exceptionally flexible platform leverages the superior capabilities of PowerG – the industry’s leading-edge wireless intrusion technology. Innovative alarm verification solutions, together with an exceptionally comprehensive remote service software suite, make PowerSeries Neo the ideal first-class solution for residential and scalable commercial installations.

For product information
www.dsc.com

Product specifications and availability subject to change without notice. Certain product names mentioned herein may be trade names and/or registered trademarks of other companies.
©2017 Tyco Security Products



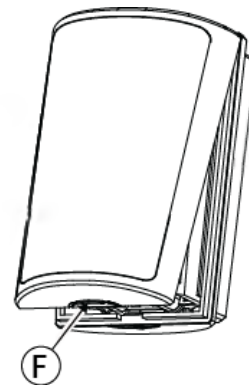
Installation Tips

■ Installation conditions

1. Keep away from heat sources
2. Do not expose to air drafts
3. Do not install outdoors
4. Avoid installation in direct sunshine
5. Do not install near high-voltage electrical lines
6. Do not install behind partitions
7. Mount on a solid stable surface

■ Opening the detector

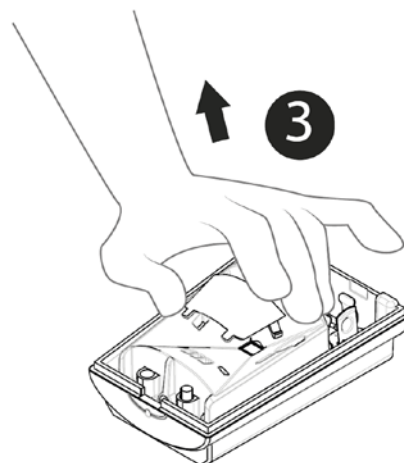
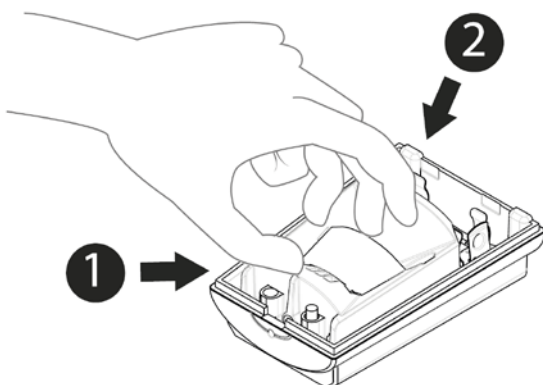
Using your fingers only, press on the point marked "F" in the drawing, and separate the cover from the base. Do not use a screwdriver.



■ Removing the pet mask

Remove the pet mask (the plastic guard) if pet immunity is not required.

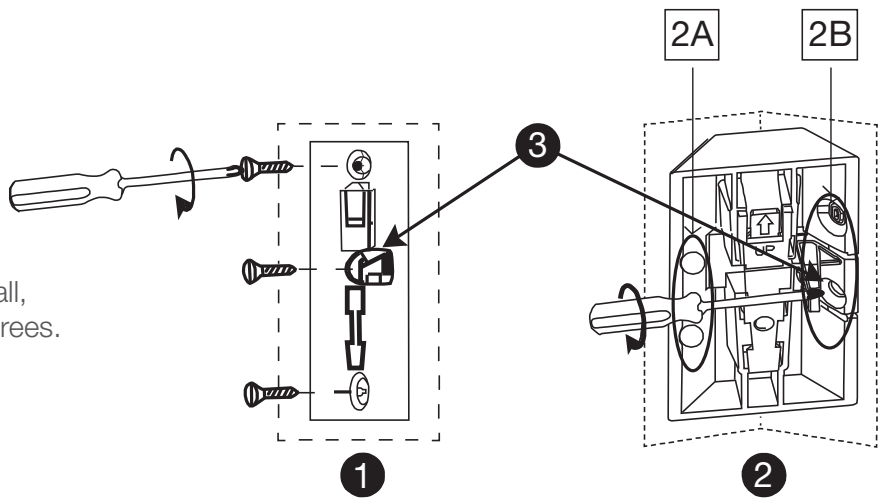
1. Place your thumb at the base of the pet mask
2. Place your fingers at the top of the pet mask
3. Lift the pet mask to remove



■ Using brackets (surface or corner)

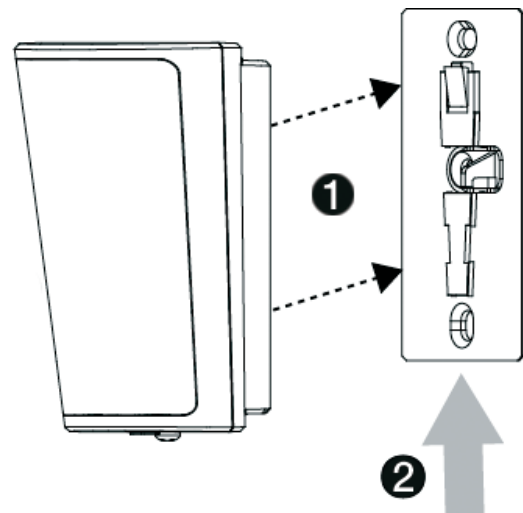
Follow the instructions in the diagram depending on what mounting method is preferred. In corner installations, to prevent a gap on one side from the wall, first verify that the wall angle is 90 degrees.

1. Surface mounting
2. Corner mounting, use 2A or 2B
3. For back tamper



■ Mounting the detector on a bracket

1. Align the detector with the bracket
2. Slide the detector upward until you hear a click



■ Disassembly from the bracket

1. Release the screw (if a screw was used for the installation)
2. Separate the cover from the base
3. Remove the battery
4. Press on the stopper snap to release the base from the bracket
5. Slide the base downward to remove

