

Panasonic[®]

Instructions

Before attempting to mount this product,
please read these instructions carefully and save this manual for future use.

The model number is abbreviated in some descriptions in this manual.

Rack Mount Bracket

Model No. **WV-Q204/1S**
WV-Q204/2S

These Rack Mount Brackets are used for mounting such as the WJ-GXE500, etc.
WV-Q204/1S can mount the unit on the rack.
WV-Q204/2S can mount side by side up to two or three units on the rack.

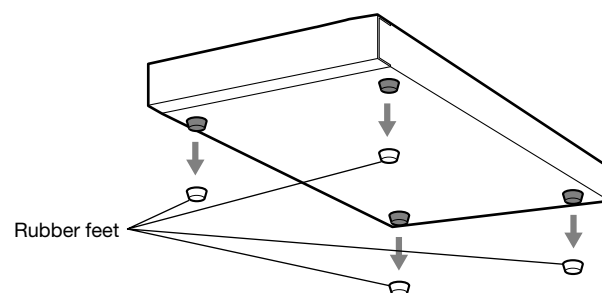
Precautions

The installation described below should be made by qualified service personnel or system installers.

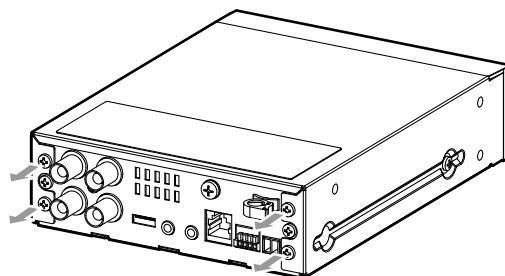
Important: Recommended tightening torque is M3: 0.78 N·m {8 kgf·cm}.

Preparations

- 1 Remove the four rubber feet from the bottom of the unit.



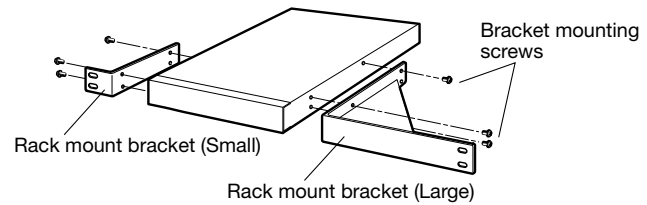
- 2 Remove four screws from the rear of the unit.
(Only for WV-Q204/2S)



Installation

■ Installing a unit using the WV-Q204/1S

- 1 Install the rack mount brackets on both sides of the unit. Using the bracket mounting screws (6 pcs.) for the rack mount brackets, fix them firmly.
 - Rack mount bracket (Large) x 1
 - Rack mount bracket (Small) x 1
 - Bracket mounting screws (M3 x 8: 6 pcs.)

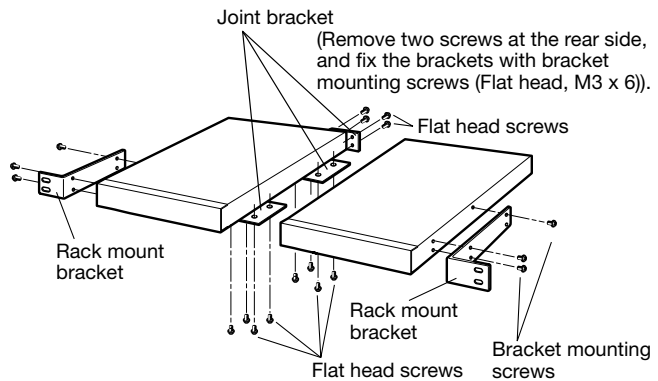


■ Installing two or three units using the WV-Q204/2S

- 1 Install the rack mount brackets on either side that will be the ends of the jointed units. Using the bracket mounting screws and fix them mounting brackets, fix them firmly.
- 2 Place the joint brackets so that each of the adjacent units can be jointed as shown and fix them with the bracket mounting screws (M3x6).

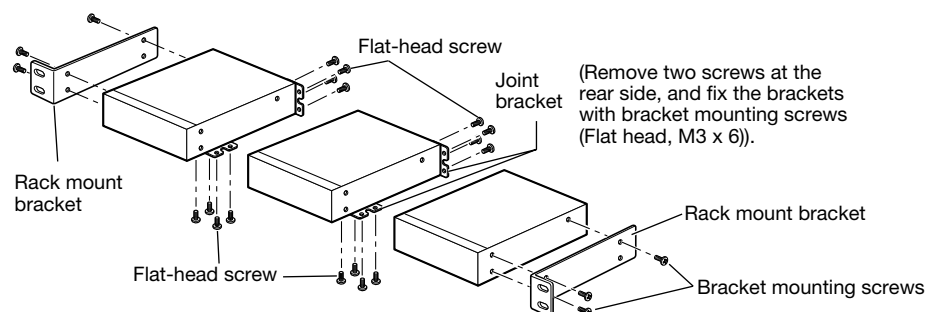
When installing two units:

- Rack mount bracket x 2
- Joint bracket x 3
- Bracket mounting screws (M3 x 8: 6 pcs.)
- Bracket mounting screws (Flat head, M3 x 6: 12 pcs.)



When installing three units (only for WJ-GXE500, WJ-GXE500E):

- Rack mount bracket x 2
- Joint bracket x 4
- Bracket mounting screws (M3 x 8: 6 pcs.)
- Bracket mounting screws (Flat-head M3 x 6: 16 pcs.)



Rack mounting

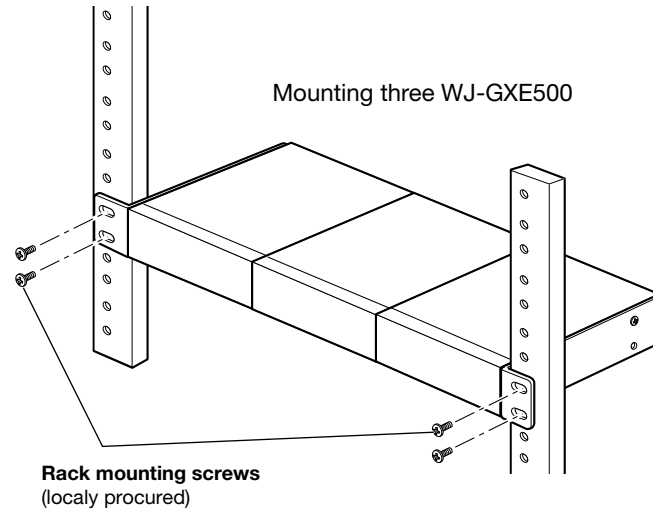
① Install the unit in the rack using the rack mounting screws (locally procured), fix them firmly.

Note:

- Be sure to keep the temperature inside the rack below 30 °C {86 °F} when operating the units. Installing ventilation fan(s) in the rack is recommended especially when the rack is covered with front lids.

Important:

- When operating the units, keep the temperature inside the rack surely below 45 °C {113 °F}.
- To prevent the unit from overheating, do not block the ventilation openings or slots in the cover.
- Secure the rear of the appliance to the rack by using additional mounting brackets (locally procured) if the rack is subject to vibration.



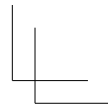
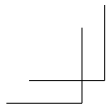
Standard accessories

WV-Q204/1S: Mount Screw
Bracket mounting (M3 x 8) 8 pcs.

WV-Q204/2S: Mount Screw
Bracket mounting (M3 x 8) 8 pcs.
Bracket mounting (flat head) (M3 x 6) 16 pcs.

Specifications are subject to change without notice.

For further informations, refer to the manuals of System Unit.



For U.S. and Canada:

Panasonic i-PRO Sensing Solutions Corporation of America

800 Gessner Rd, Suite 700 Houston, TX 77024
<https://www.security.us.panasonic.com/>

Panasonic Canada Inc.

5770 Ambler Drive, Mississauga, Ontario, L4W 2T3 Canada
1-877-495-0580
<https://www.panasonic.com/ca/>

For Europe and other countries:

Panasonic Corporation

<http://www.panasonic.com>

Panasonic i-PRO Sensing Solutions Co., Ltd.
Fukuoka, Japan

Authorised Representative in EU:

Panasonic Testing Centre
Panasonic Marketing Europe GmbH
Winsbergring 15, 22525 Hamburg, Germany

